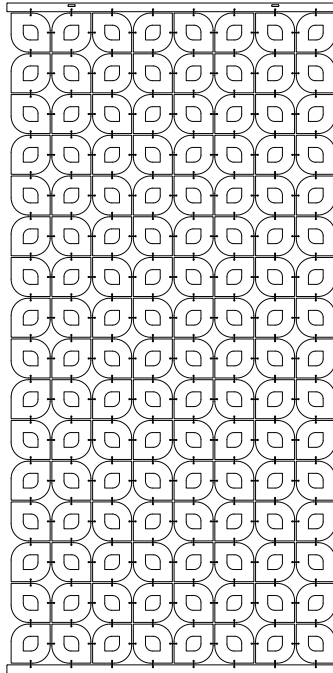


DIVVY | LYRIC

Screen

INSTALLATION INSTRUCTIONS



DESIGNER	Submaterial
PRODUCT NAME	Divvy Lyric
PRODUCT NUMBER	SCRN-SUBM-0003-08
FAMILY NAME	Divvy
PRODUCT CATEGORY	Screen
MATERIALS	100% Merino Wool Felt or Sustainably Sourced Cork, Acid-Free Museum Board, Steel Hardware and Aluminum Rings
INSTALLATION METHOD	Ceiling Installation Hardware Pack 1
PURPOSE	Residential
COLOR FASTNESS TO LIGHT	Felt, Class 4-5 (40 hours)
COLORFASTNESS TO CROCKING	Felt, Class 3-4 (wet), Class 4-5 (dry)
WARRANTY AND RETURNS	No warranties are offered on any Submaterial products. Most of our products are made to order, therefore we offer returns or exchanges due to manufactures defect only. Items must be returned in the original packaging and have no visible signs of wear or use. If you have a concern, please contact us within 3 business days of receipt of your products. Please retain the original packaging and wait for

MINOR CLEANING

Like any natural fiber, you should always take a minimal approach to cleaning wool felt. The preferred steps taken for the cleaning process should consist of (in order of intensity): dusting with a lint roller, vacuuming with a clean soft brush, spot cleaning with water and mild detergent, using chemical stain removers. Periodic spot removal of lint can be achieved easily by using a standard tape lint roller. Once per year, it is recommended that the entire surface be given a light vacuum with a soft upholstery brush.

MAJOR CLEANING

For removal of minor stains, a mild enzyme-based detergent (such as Tide Free) is recommended. Create a dilute solution by adding three parts water to one part detergent in a clean container. **Always blot, never rub!** Use a clean paper towel to gently blot the detergent into the stain. Press and release; repeat. Using a separate container of water, use clean moist paper towels to blot more water into the stain. Press and release; repeat. Finish by blotting firmly with clean, dry paper towels until the area is nearly dry. There are many solvent-based spot removers available. Although we don't recommend them except in the case of emergency, the best choices for wool felt are dry cleaning fluids. Always test first in an inconspicuous area. Blot the stained area with a clean cloth soaked in dry cleaning fluid, then blot with clean cloth until dry.

DIVVY | LYRIC

Screen

INSTALLATION INSTRUCTIONS

It is highly recommended two people work together for this installation procedure. Using very clean hands, handle the screen by the top bar only. Never grab the screen by the middle or by any individual component.

RECOMMENDED HARDWARE

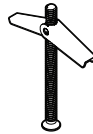
Tape Measure
Power Drill
1/8" Drill Bit
Removable Tape
Pencil

INCLUDED COMPONENTS

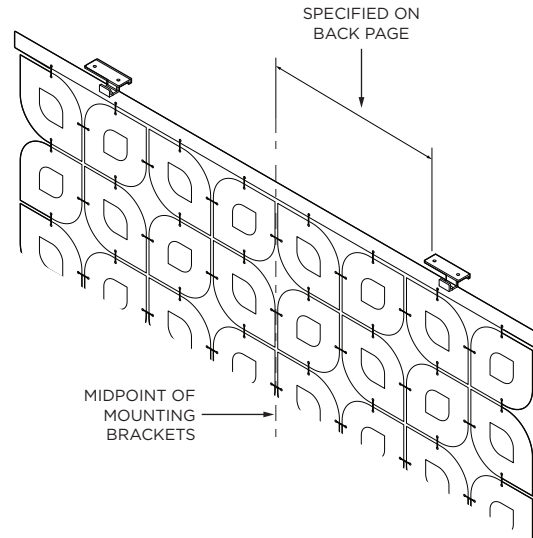
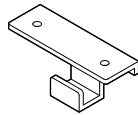
Screw Caps
+ Washers



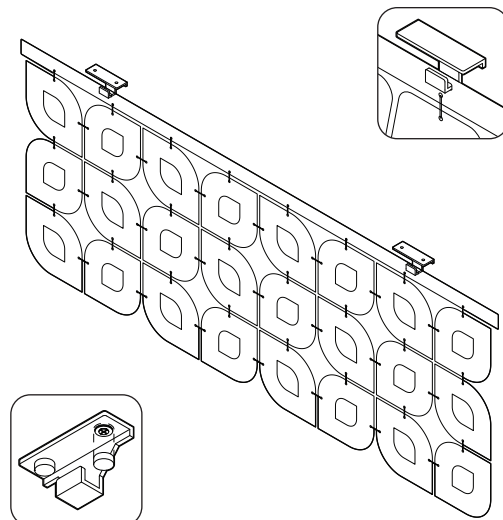
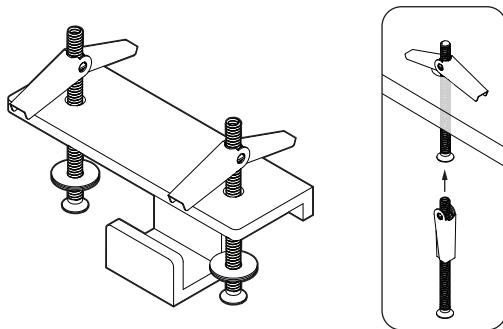
Toggle Bolts



Mounting Brackets



1. Determine desired location of screen. Using a pencil, mark centerpoint with removable painter's tape.
2. Refer to distance on back of pamphlet, start from midpoint and measure out on either side to create a mark for the mounting brackets.
3. Raise mounting bracket to ceiling and position interior edge to mark made in step two. Using a pencil, make marks for both holes. Repeat step for other mounting bracket.



3. Using a 3/8" drill bit, drill pilot holes through ceiling on marks.
4. Assemble the toggle bolt, mounting bracket and washer (as shown in the diagram above) Orient the washer so screw head is counter sunk into the washer.. Push the set of toggle bolts through the pilot holes.
5. Using a philips head screw driver, tighten the screws so the mounting bracket is firmly against the ceiling surface.

6. Install screw caps on exposed washer and screw assembly.
7. Handle the screen using the top bar only. With the help of another person, raise the screen to hook onto the mounting brackets.
8. Inspect the screen and adjust any parts of the screen which may have shifted during the installation process. Straighten rings as necessary. Be cautious to not put any strain on any individual component.