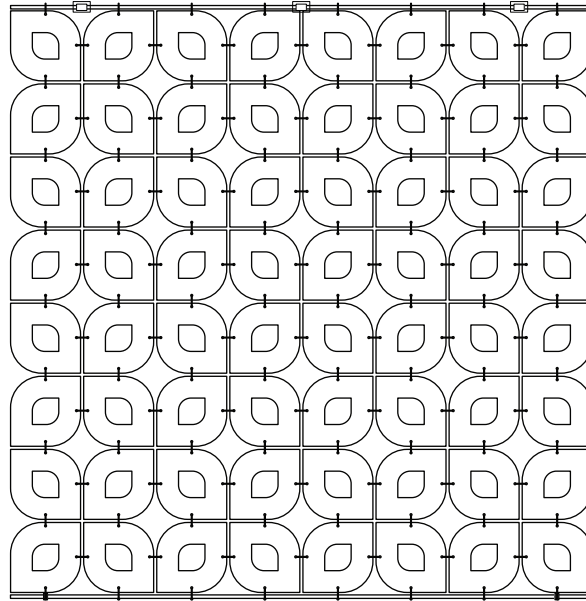


LYRIC WALL HANGING

Wall Hanging

INSTALLATION INSTRUCTIONS



DESIGNER	Submaterial
PRODUCT NAME	Lyric Wall Hanging
PRODUCT NUMBER	WLHG-SUMB-0005-01
PRODUCT CATEGORY	Wall Hanging
MATERIALS	100% Merino Wool Felt or Sustainably Sourced Cork, Acid-Free MuseumBoard, Steel Hardware and Aluminum Ring
INSTALLATION METHOD	Wall Mounted Brackets
PURPOSE	Residential Use, Interior Only
COLOR FASTNESS TO LIGHT	Felt, Class 4-5 (40 hours)
COLORFASTNESS TO CROCKING	Felt, Class 3-4 (wet), Class 4-5 (dry)
WARRANTY AND RETURNS	No warranties are offered on any Submaterial products. Most of our products are made to order, therefore we offer returns or exchanges due to manufactures defect only. Items must be returned in the original packaging and have no visible signs of wear or use. If you have a concern, please contact us within 3 business days of receipt of your products. Please retain the original packaging and wait for instructions from our sales team.

MINOR CLEANING

Like any natural fiber, you should always take a minimal approach to cleaning wool felt. The preferred steps taken for the cleaning process should consist of (in order of intensity): dusting with a lint roller, vacuuming with a clean soft brush, spot cleaning with water and mild detergent, using chemical stain removers. Periodic spot removal of lint can be achieved easily by using a standard tape lint roller. Once per year, it is recommended that the entire surface be given a light vacuum with a soft upholstery brush.

MAJOR CLEANING

For removal of minor stains, a mild enzyme-based detergent (such as Tide Free) is recommended. Create a dilute solution by adding three parts water to one part detergent in a clean container. **Always blot, never rub!** Use a clean paper towel to gently blot the detergent into the stain. Press and release; repeat. Using a separate container of water, use clean moist paper towels to blot more water into the stain. Press and release; repeat. Finish by blotting firmly with clean, dry paper towels until the area is nearly dry. There are many solvent-based spot removers available. Although we don't recommend them except in the case of emergency, the best choices for wool felt are dry cleaning fluids. Always test first in an inconspicuous area. Blot the stained area with a clean cloth soaked in dry cleaning fluid, then blot with clean cloth until dry.

LYRIC WALL HANGING

Wall Hanging

INSTALLATION INSTRUCTIONS

DO NOT remove the wall hanging from its carton until the included hardware has been installed on your wall. Most damage will occur while laying the wall hanging is on the floor or furniture prior to installing the hanging hardware.

It is highly recommended two people work together for this installation procedure. Using very clean hands, handle the wall hanging only by using the inserted rod on either side of the construct. Avoid grabbing the ultra-suede or any individual tile.

RECOMENDED HARDWARE

Bar Level (at least 24")
Tape Measure
Power Drill
1/8" Drill Bit
Removable Tape
Pencil

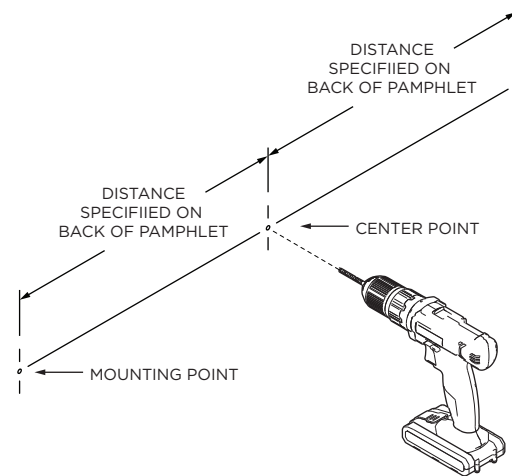
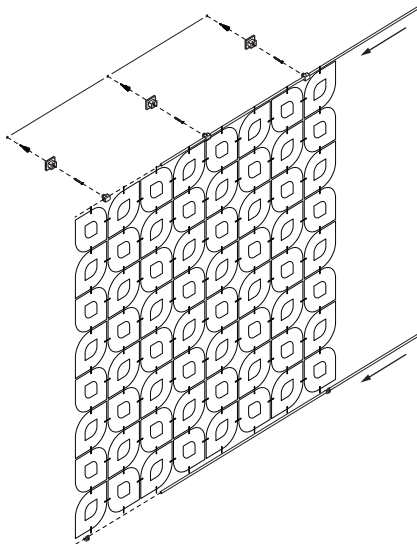
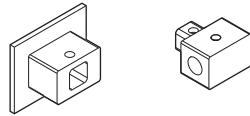
INCLUDED COMPONENTS

#8 - 1 5/8" Screws Wall Anchors

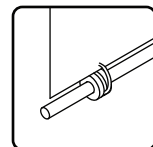
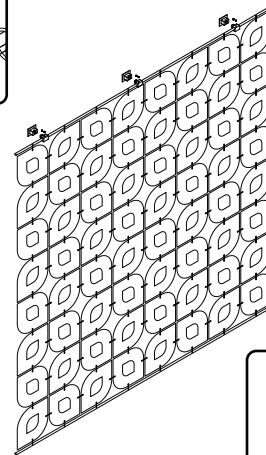
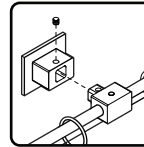


Wall Bracket

Panel Bracket



1. Determine the top center point you wish your piece to be hung at, and mark on wall using a piece of painters' tape.
2. Refer to the back of this pamphlet to determine the spacing of your mounting brackets, then measure set distance from center point marked on wall.
3. Using a drill with a 1/8" bit make pilot holes through drywall on marks you set in previous steps, then remove painters' tape.



4. Install drywall anchors into holes drilled used in previous step - be cautious to not over torque and strip anchor.
5. Raise Wall Bracket to wall with set screw facing up and mount to anchors using 1 5/8" screws. Repeat for all 3 mounting brackets.
6. Thread one of the stainless-steel rods through the rings and hanging brackets along the top edge, and thread the other rod through the rings along the bottom of the panel.

7. Raise the wall hanging to the wall and insert hanging bracket hardware into the brackets mounted on the wall, then secure by tightening set screws on top of brackets.
8. Place silicone stoppers on either side of rings at each of the bottom corners.
9. Using clean hands gently adjust tiles and rings if they are out of place, being careful to not rip the tiles.