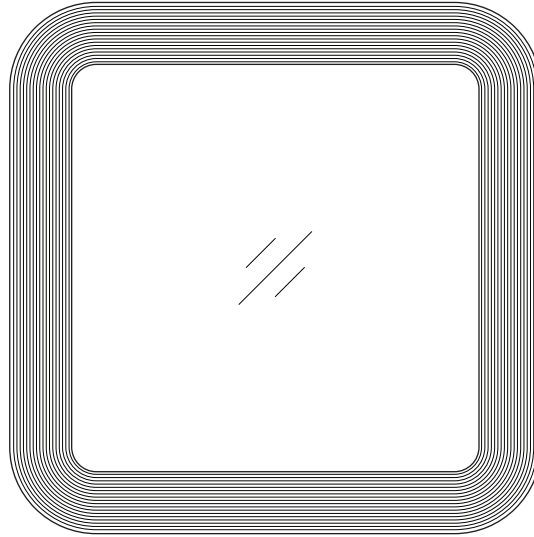


WANDER | SQUARE

Mirror

INSTALLATION INSTRUCTIONS



DESIGNER	Submaterial
PRODUCT NAME	Wander Mirror Square
PRODUCT NUMBER	MIRR-SUBM-0009-01
FAMILY NAME	Wander
PRODUCT CATEGORY	Mirror
MATERIALS	100% Merino Wool Felt, MDF Backing, Glass Mirror and Steel Hardware
INSTALLATION METHOD	Keyhole Hardware Bracket
PURPOSE	Residential
COLOR FASTNESS TO LIGHT	Felt, Class 4-5 (40 hours)
COLORFASTNESS TO CROCKING	Felt, Class 3-4 (wet), Class 4-5 (dry)
WARRANTY AND RETURNS	No warranties are offered on any submaterial products. Most of our products are made to order, therefore we offer returns or exchanges due to manufactures defect only. Items must be returned in the original packaging and have no visible signs of wear or use. If you have a concern, please contact us within 3 business days of receipt of your products. Please retain the original packaging and wait for instructions from our sales team.

MINOR CLEANING

Like any natural fiber, you should always take a minimal approach to cleaning wool felt. The preferred steps taken for the cleaning process should consist of (in order of intensity): dusting with a lint roller, vacuuming with a clean soft brush, spot cleaning with water and mild detergent, using chemical stain removers. Periodic spot removal of lint can be achieved easily by using a standard tape lint roller. Once per year, it is recommended that the entire surface be given a light vacuum with a soft upholstery brush.

MAJOR CLEANING

For removal of minor stains, a mild enzyme-based detergent (such as Tide Free) is recommended. Create a dilute solution by adding three parts water to one part detergent in a clean container. **Always blot, never rub!** Use a clean paper towel to gently blot the detergent into the stain. Press and release; repeat. Using a separate container of water, use clean moist paper towels to blot more water into the stain. Press and release; repeat. Finish by blotting firmly with clean, dry paper towels until the area is nearly dry. There are many solvent-based spot removers available. Although we don't recommend them except in the case of emergency, the best choices for wool felt are dry cleaning fluids. Always test first in an inconspicuous area. Blot the stained area with a clean cloth soaked in dry cleaning fluid, then blot with clean cloth until dry.

WANDER | SQUARE

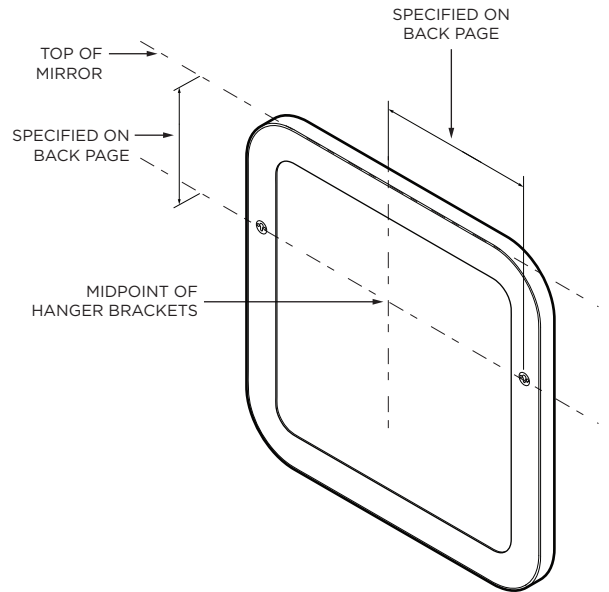
Mirror

INSTALLATION INSTRUCTIONS

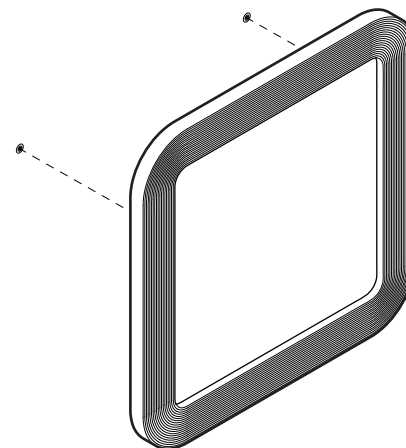
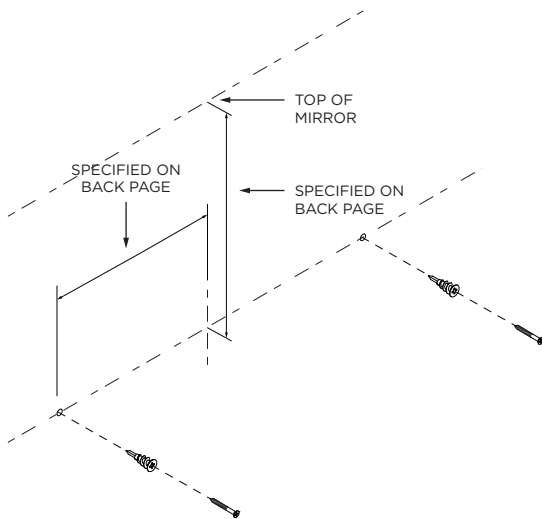
It is highly recommended two people work together for this installation procedure. Using very clean hands, handle the panel only by using the integrated wood cleat on the panel back, or by the edges. Never grab the panel by the felt face.

RECOMMENDED HARDWARE	
	Bar Level (at least 24")
	Tape Measure
	Power Drill
	1/8" Drill Bit
	Removable Tape
	Pencil

INCLUDED COMPONENTS	
	#8 - 1 5/8" Screws Wall Anchors



1. Rotate the mirror so that the set of keyhole hanger brackets are towards the upper part of the mirror and the mirror is in the desired orientation. Some mirrors have two sets allowing for a two orientations.
2. In the desired hanging orientation, position the mirror against the wall at the desired height.
3. With the help of another person, mark the top of the mirror using removable painters tape and a pencil mark.



3. Using the distance written on the back of this pamphlet (top of mirror to midpoint of hanger brackets) measure down and mark another point with removable painters tape and a pencil mark.
4. With a level and using the distance written on the back of this pamphlet (midpoint to hanger brackets) measure across and mark one point on either side of midpoint.
5. Using a 1/8" drill bit, drill pilot holes through drywall on marks. Install drywall anchors, then screw #8 - 1 5/8" screws into the pilot holes.
6. Using a level, check the two screws are level.
7. Raise the mirror with two hands and hang the mirror using the hanger brackets to the installed screws.
8. Inspect the mirror, clean the mirror surface using a glass cleaner and adjust any parts of the mirror which may have shifted during the installation process.