

DIRECTORY

Mirror

INSTALLATION INSTRUCTIONS

It is highly recommended two people work together for this installation procedure. Using very clean hands, handle the mirror only by using the integrated wood cleat on the back, or by the edges. Never grab the mirror by the felt face.

RECOMMENDED HARDWARE

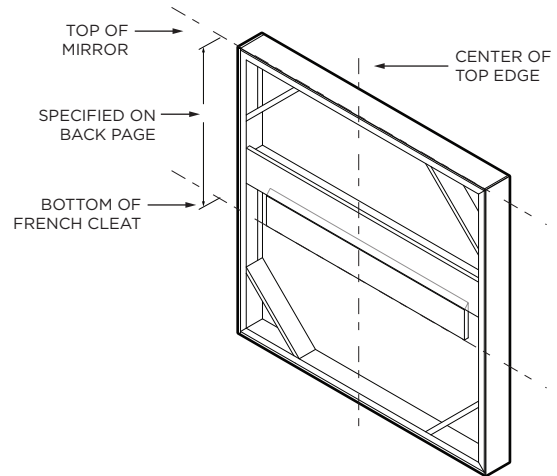
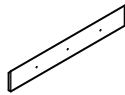
Bar Level (at least 24")
Tape Measure
Power Drill
1/8" Drill Bit
Removable Tape
Pencil

INCLUDED COMPONENTS

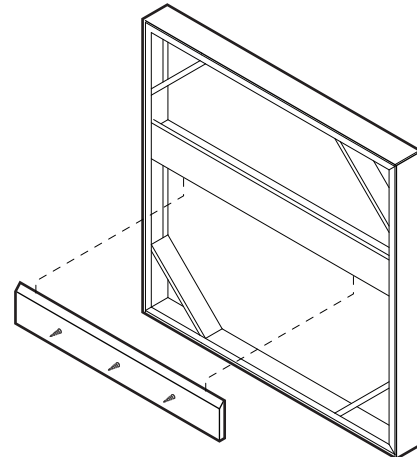
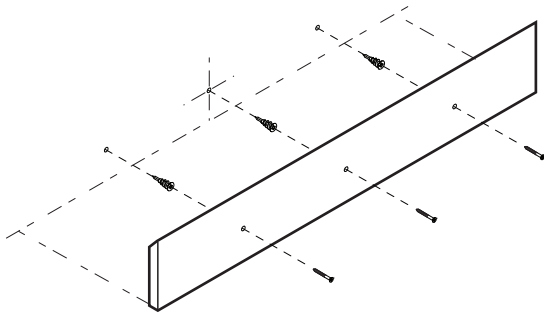
#8 - 1 5/8" Screws Wall Anchors



French Cleat



1. Determine the height where you wish your piece to be placed on the wall. Then using removable painters tape and a pencil mark the center of the top edge.
2. Using the distance written on the back of this pamphlet measure down from mark created in step one to create a mark where bottom of french cleat will be mounted.



3. Raise bottom of french cleat to mark on wall and using bar level position French Cleat as true as possible. Once in place use pencil to mark drywall through holes drilled in french cleats.
4. Lower cleat from wall then using a 1/8" drill bit drill holes through drywall on marks. Install drywall anchors.
5. Return french cleat to original position and secure center screw using #8 - 1 5/8" screws provided - Do not tighten fully and do one final check for level - then fully secure all screws.

6. Raise mirror to french cleat on wall and lower to secure to opposing cleat on back of mirror.
7. If minor adjustments are needed, the french cleat can be shimmed using a small wad of paper, about the size of a grain of rice.
8. Inspect front of panel for disruptions in pattern and gently readjust.