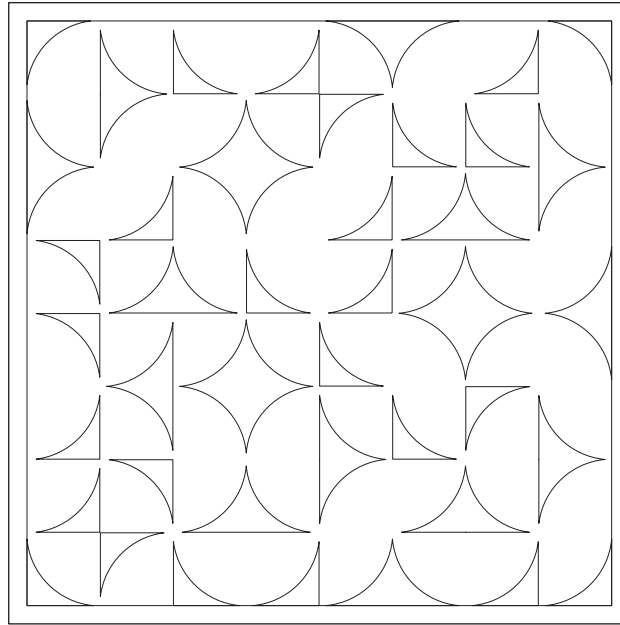


## PIVOT

Mirror

## INSTALLATION INSTRUCTIONS



|                            |   |
|----------------------------|---|
| <b>DESIGNER</b>            | Submaterial   |
| <b>PRODUCT NAME</b>        | Pivot   |
| <b>PRODUCT NUMBER</b>      | MIRR-SUMB-0015-03                                   |
| <b>PRODUCT CATEGORY</b>    | Mirror  |
| <b>MATERIALS</b>           | FSC Certified Hardwood, Aluminum, Glass Mirror, MDF |
| <b>INSTALLATION METHOD</b> | Z-Clip  |
| <b>PURPOSE</b>             | Commercial or Residential Interior                  |

**WARRANTY AND RETURNS** No warranties are offered on any Submaterial products. Most of our products are made to order, therefore we offer returns or exchanges due to manufacturer defect only. Items must be returned in the original packaging and have no visible signs of wear or use. If you have a concern, please contact us within 3 business days of receipt of your products. Please retain the original packaging and wait for instructions from our sales team.

### FRAME CLEANING

Lightly dust with a cloth made from gentle fibers. Use Distilled water and mild soap with a soft cloth to wipe away any residue or substance. Never spray cleaning solution directly on mirror, apply to cloth before wiping away residue. Be sure to dry with dry cloth after using wet method.

### MIRROR CLEANING

Lightly dust with a cloth made from gentle fibers. Use glass cleaner and a soft cloth to clean surface of mirror. Never spray cleaning solution directly on mirror, apply to cloth before cleaning surface of mirror.

## PIVOT

Mirror

## INSTALLATION INSTRUCTIONS

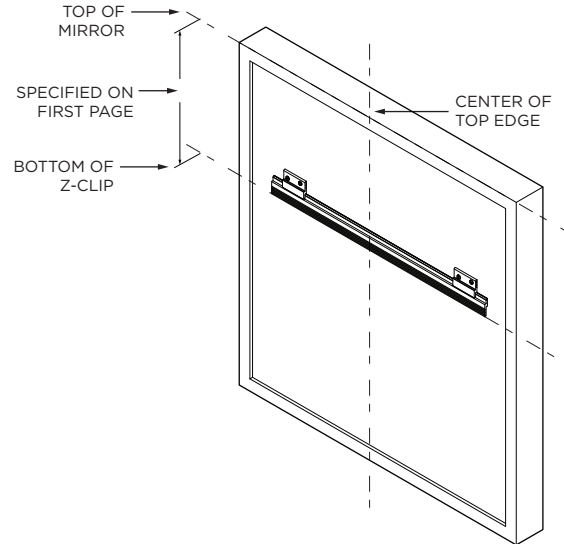
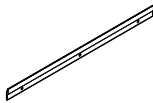
It is highly recommended two people work together for this installation procedure. Using very clean hands, handle the mirror only by using the integrated mouting hardware or by the edges. Never grab the mirror by its face.

| RECOMMENDED HARDWARE |                          |
|----------------------|--------------------------|
|                      | Bar Level (at least 24") |
|                      | Tape Measure             |
|                      | Power Drill              |
|                      | 1/8" Drill Bit           |
|                      | Removable Tape           |
|                      | Pencil                   |

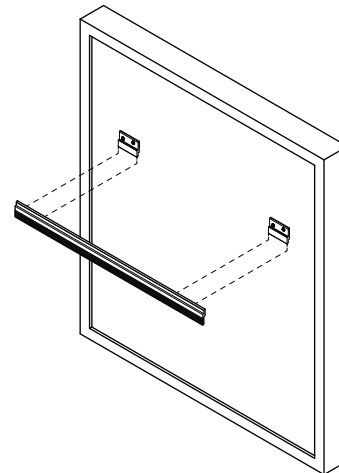
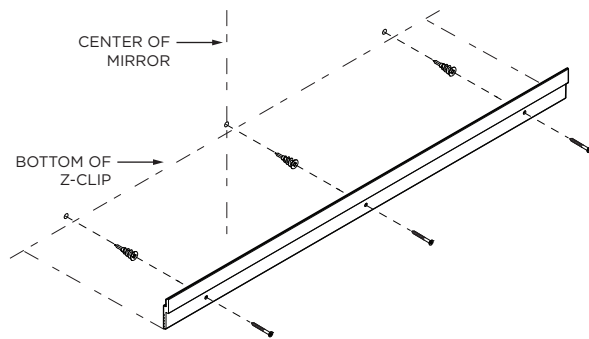
| INCLUDED COMPONENTS |                                 |
|---------------------|---------------------------------|
|                     | #8 - 1 5/8" Screws Wall Anchors |



Z-Clip Mounting Rail



1. Determine the height where you wish your piece to be placed on the wall. Then using removable painters tape and a pencil mark the center of the top edge.
2. Using the distance written on the back of this pamphlet measure down from mark created in step one to create a mark where bottom of Z-Clip mounting rail will be installed.



3. Raise bottom of Z-Clip to mark on wall and using bar level position Z-Clip as true as possible. Once in place use pencil to mark drywall through holes drilled in Z-Clip Mounting Rail.
4. Lower Z-Clip from wall, then using a Phillips head driver, Install drywall anchors on marks made in last step.
5. Return Z-Clip to original position and secure center screw using #8 - 1 5/8" screws provided - Do not tighten fully and do one final check for level - then fully secure all screws.

6. Raise panel to Z-Clip on wall and lower to secure to opposing Z-Clips on back of panel.
7. If minor adjustments are needed, the Z-Clip can be shimmed using a small wad of paper, about the size of a grain of rice.
8. Inspect front of panel for disruptions in pattern and gently readjust.